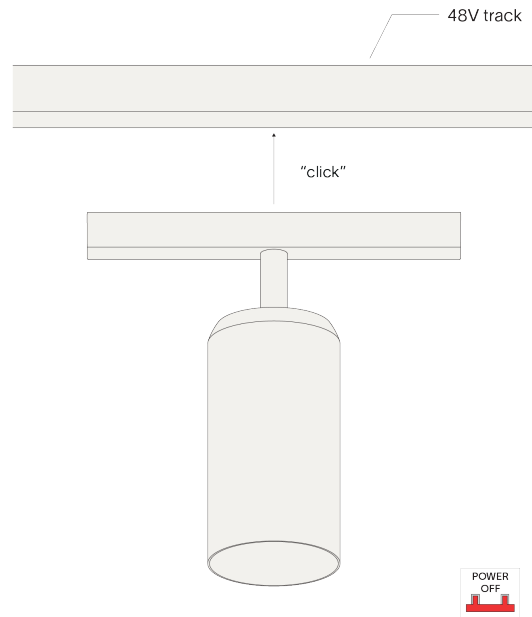


acrotrack micro short installation instruction

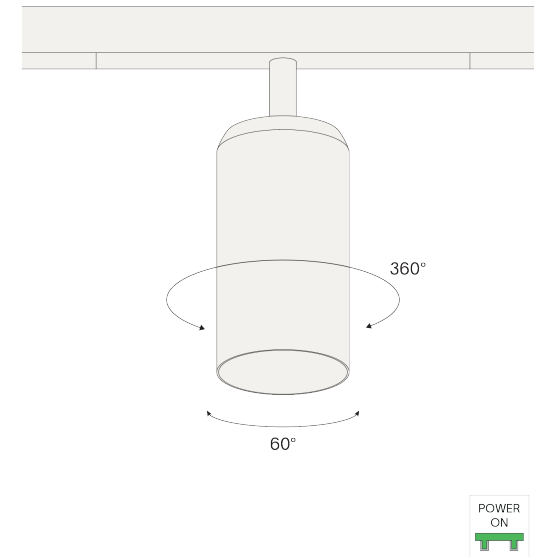


Step 1



Slide the luminaire in the prado 48V track make sure to use a prado 48V LED-driver.

Step 2



Twist the luminaire as desired.

			IP 44			Replace glass lens when broken. Luminaire shall only be used together with glass lens.
--	--	--	-------	--	--	---