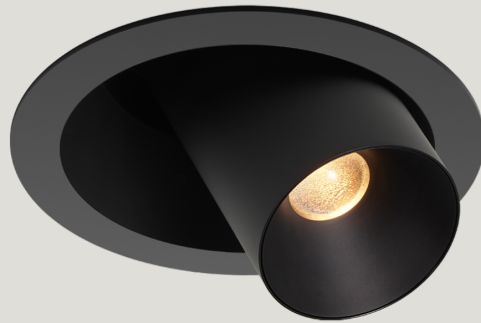
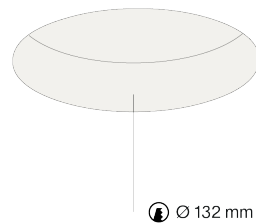


light ventilation trim long installation instruction

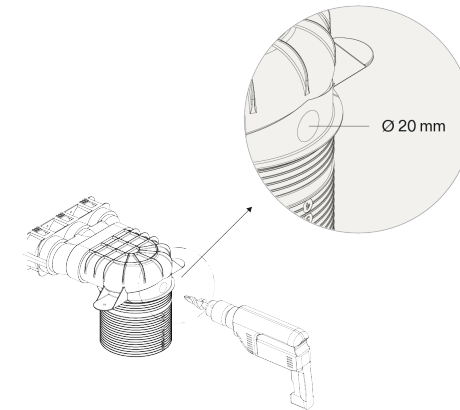


Step 1



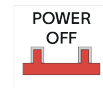
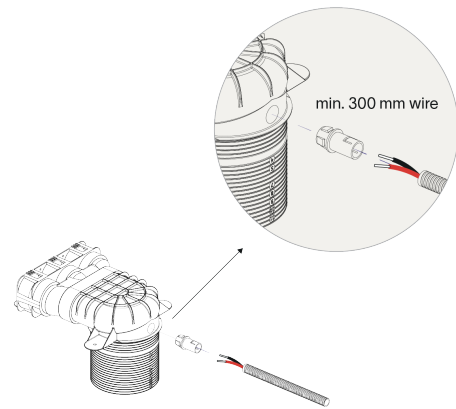
Cut a round hole (Ø 132 h 85).

Step 2



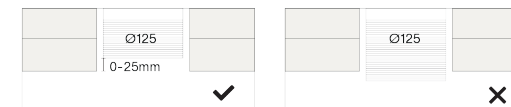
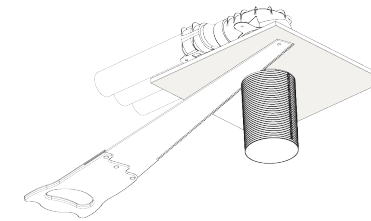
Use a step drill to cut a Ø20 hole into the Ø125 valve adapter of your choice. A hole can be drilled in any type or brand of Ø125 valve adapter.

Step 3



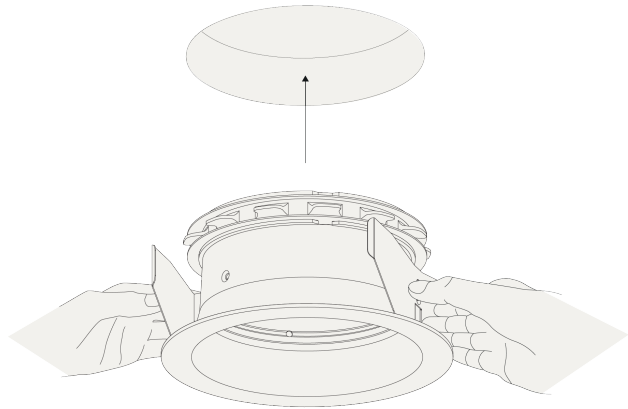
Connect the $\text{\O}16$ preflex and the valve adapter with the prado connector. Make sure to add minimal 300 mm of wire into the valve adapter. Driver must be placed remotely to remain accessible.

Step 4



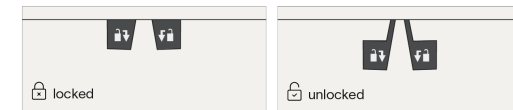
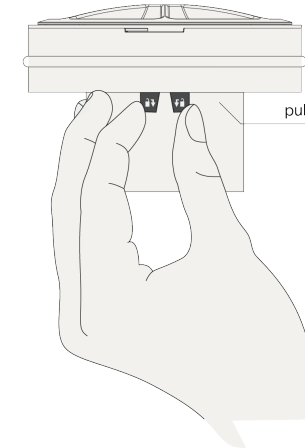
Cut off the excess length of the valve adapter. (between 0 and 25 mm above final ceiling level) The remaining vertical part of the adapter (before the start of the turn) must be at least 75 mm high for the plaster ring (connector can't be placed in this zone).

Step 5



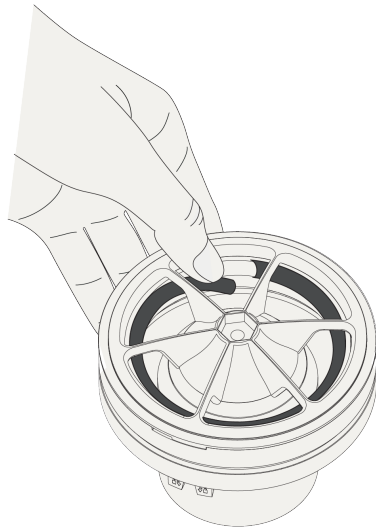
Insert the holder.

Step 6



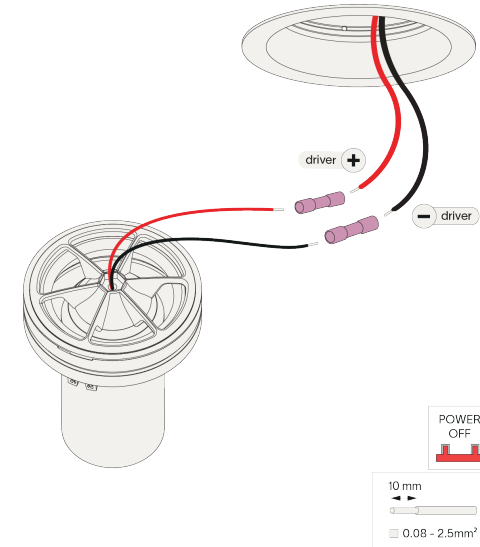
If 50 m/h is required remove the 25 m/h ring like shown above. If 25 m/h is required do not remove the 25 m/h ring like shown above.

Step 7



Gently pull the lock out before adjusting the air flow.

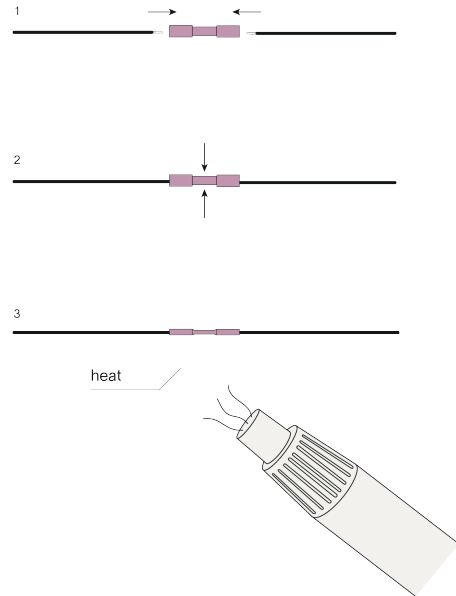
Step 8



constant current (mA)	typical forward voltage (V)	typical power (W)
350	16,9	5,9
500	17,4	8,7
700	18,2	12,7
850	18,5	15,7

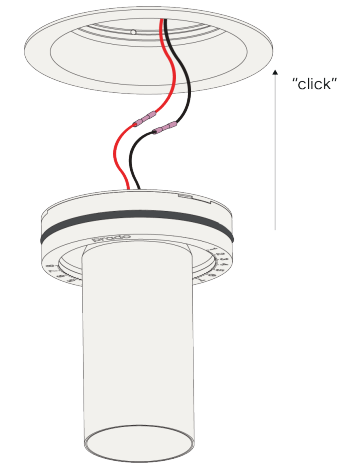
Connect the wires with waterproof connectors for serial connection, respect polarity combine with prado LED-driver.

Step 9



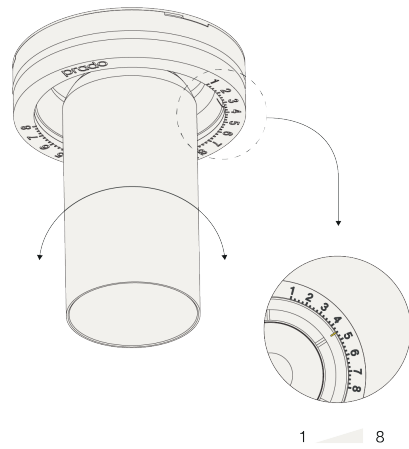
1. Insert the wires into the connector
2. Compress the middle part
3. Seal with a heater.

Step 10



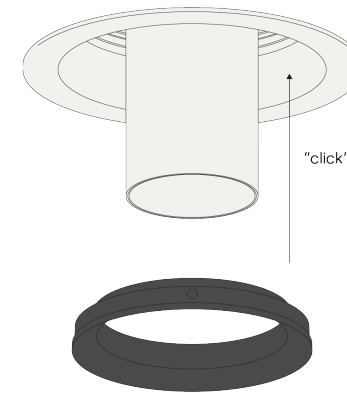
Gently insert the fixture into the kit until it "clicks".

Step 11



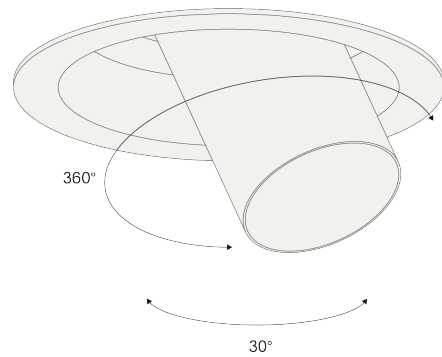
Twist the luminaire to adjust the ventilation flow level.

Step 12



Insert the design ring to lock the ventilation valve.

Step 13



Twist the luminaire as desired.

