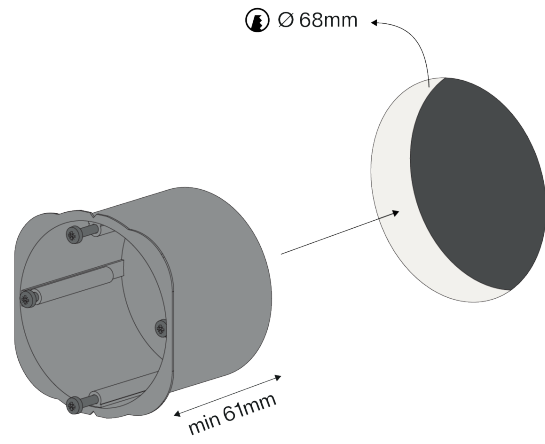


retrofit plaster ring

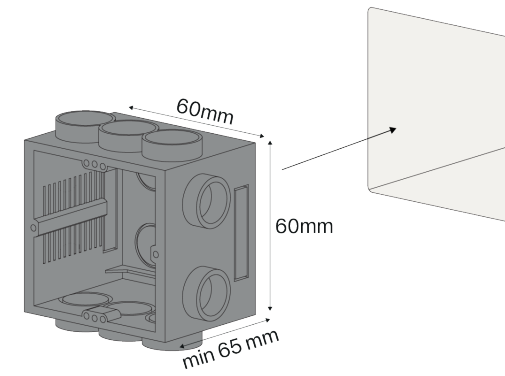
installation instruction



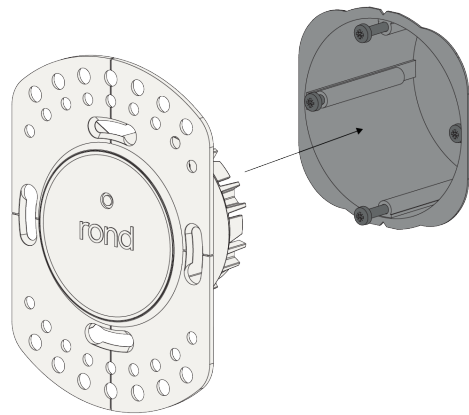
Step 1



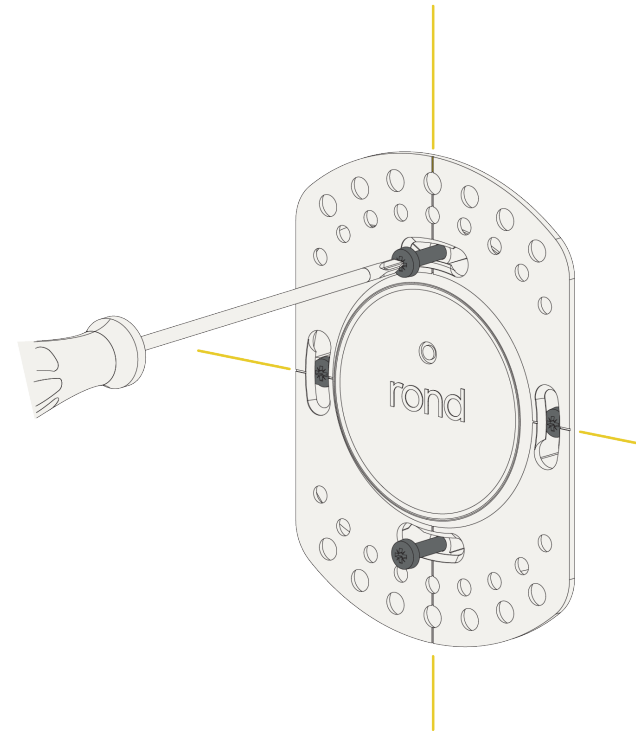
Step 2



Step 3



Step 4



Level kit, gently screw with appropriate stainless steel screws.

Step 5



Step 6

