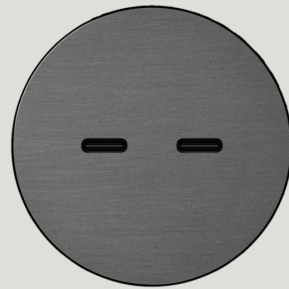
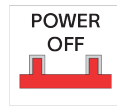
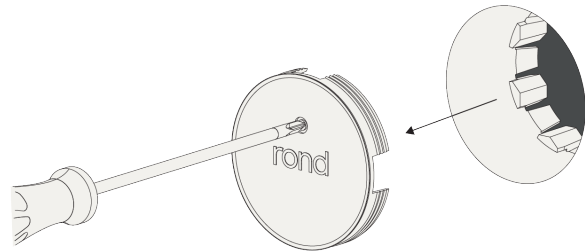


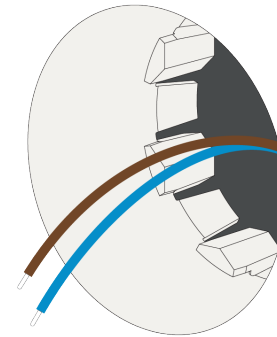
# USB-C module 30W installation instruction



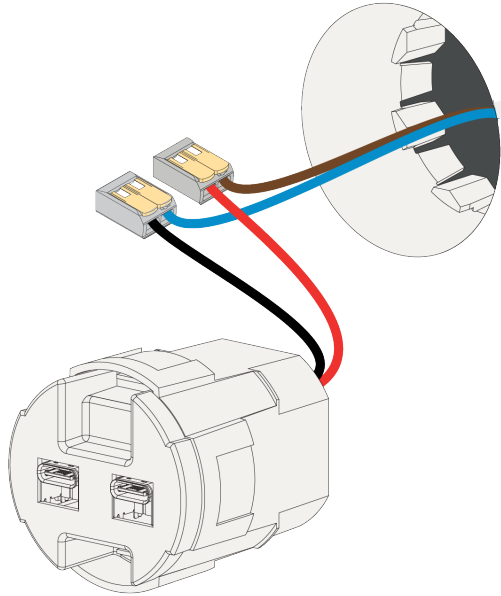
Step 1



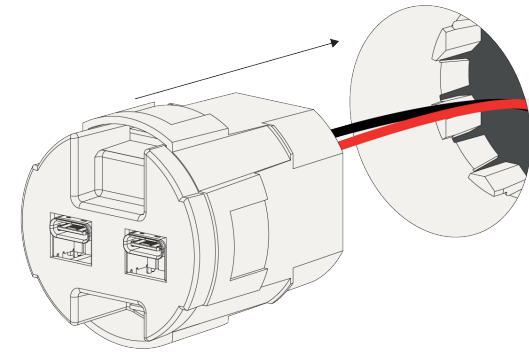
Step 2



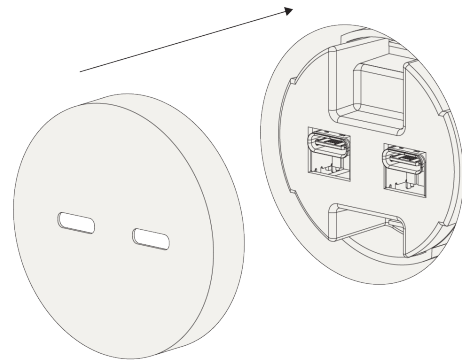
Step 3



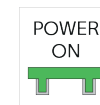
Step 4



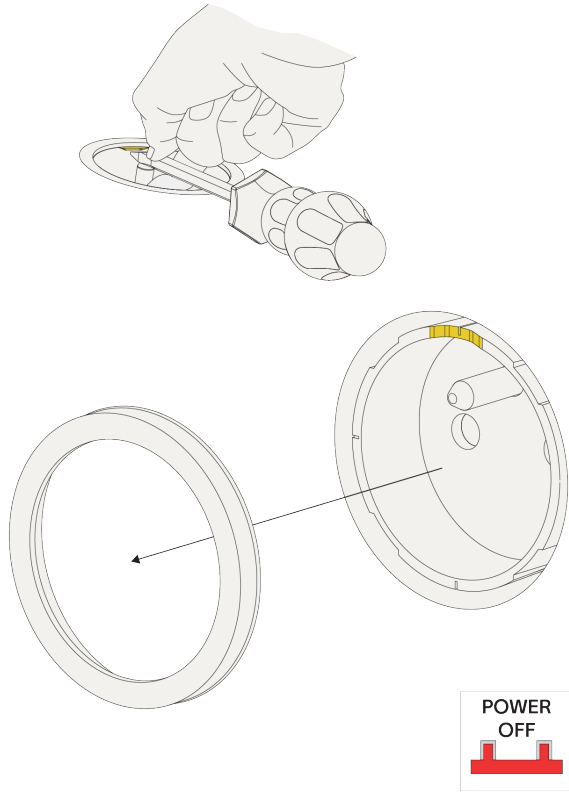
Step 5



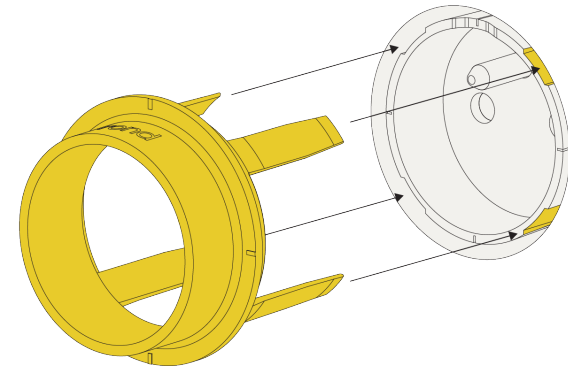
Step 6



Step 7



Step 8



Step 9

---

