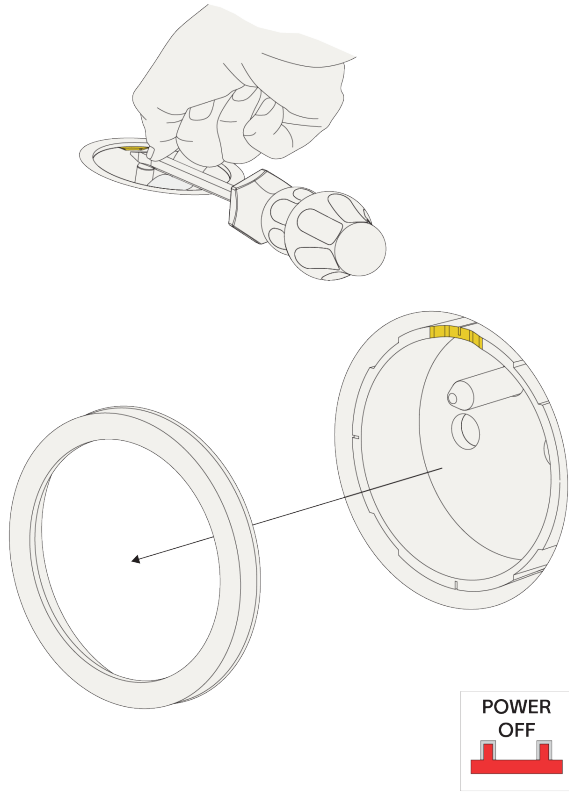


# removal tool for rond 2.0

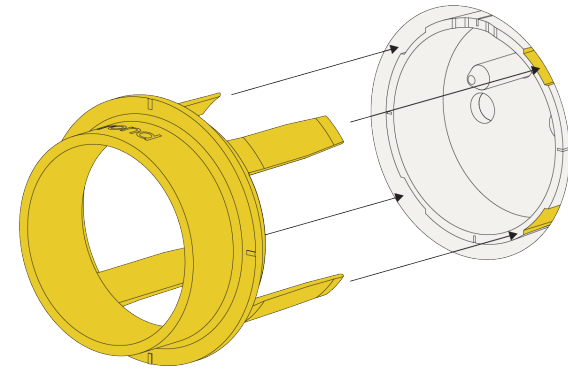
## installation instruction



Step 1



Step 2



Step 3

