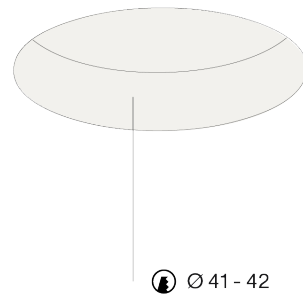


trim spot mini

installation instruction

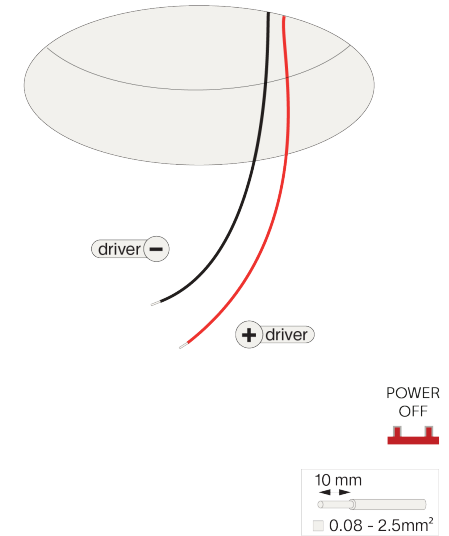


Step 1



Cut a round hole (Ø 41). Consult the chosen luminaire tech specs for required height and free air dimensions.

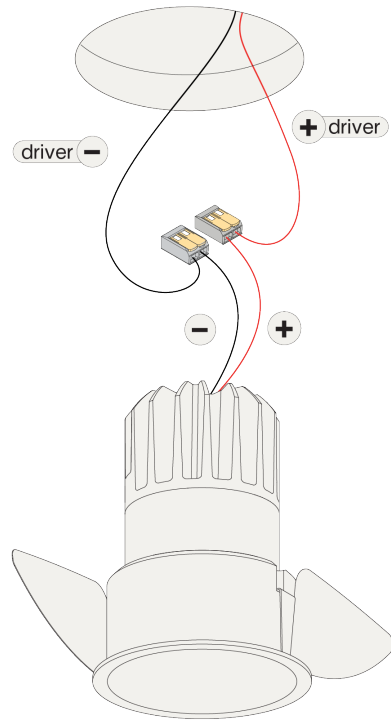
Step 2



constant current (mA)	typical forward voltage (V)	typical power (W)
350	16,9	5,9
500	17,4	8,7

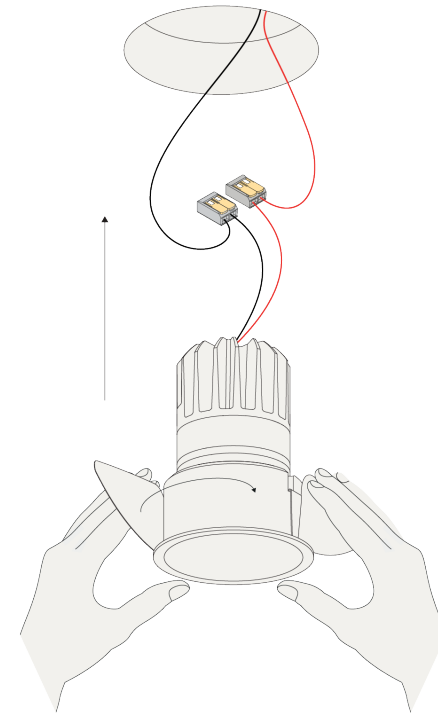
Trim spot mini short: max 350mA trim spot mini long: max 500mA.

Step 3



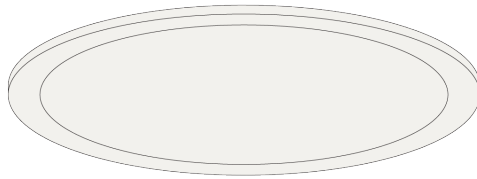
Connect the wires with wago connectors for serial connection, respect polarity combine with a prado LED-driver.

Step 4



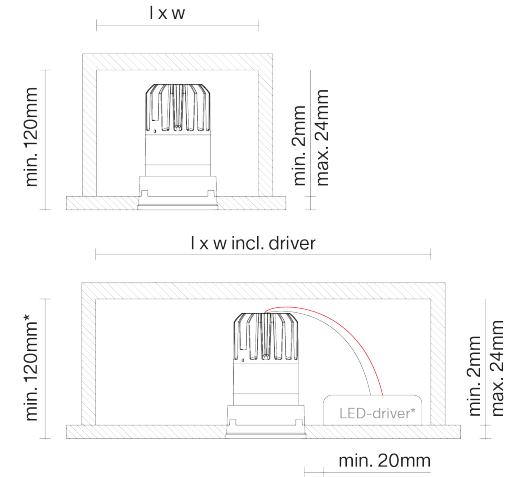
Bend over the springs and push the luminaire into the ceiling.

Step 5



Step 6

recommended free air dimensions



constant current (mA)	l x W (mm)	l x W incl. driver (mm)
350	100 x 100	200 x 200
500	150 x 150	250 x 250

			IP 44			Replace glass lens when broken. Luminaire shall only be used together with glass lens.
--	--	--	-------	--	--	---