

acrojack micro short installation instruction

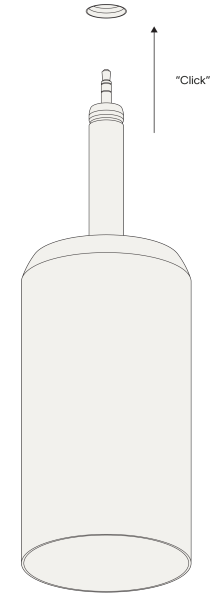


Step 1



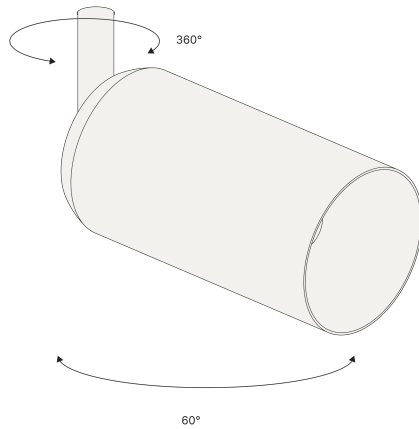
Make sure the power is turned off before installing the fixture into the plaster ring jack (8000-0006).

Step 2



Gently insert the fixture into the kit until it "clicks".

Step 3



POWER
ON



Twist the luminaire as desired.

