

acrojack micro long installation instruction

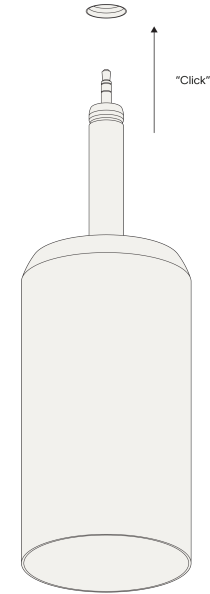


Step 1



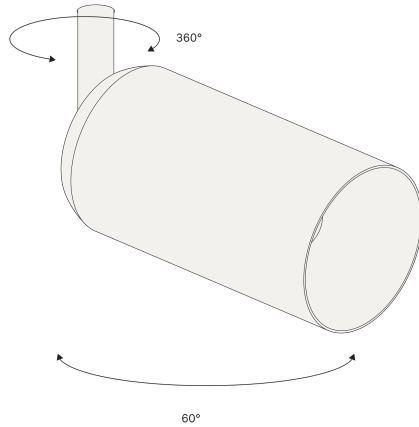
Make sure the power is turned off before installing the fixture into the plaster ring jack (8000-0006).

Step 2



Gently insert the fixture into the kit until it “clicks”.

Step 3



Twist the luminaire as desired.

			IP 20	CE			Replace glass lens when broken. Luminaire shall only be used together with glass lens.
--	--	--	-------	----	--	--	---