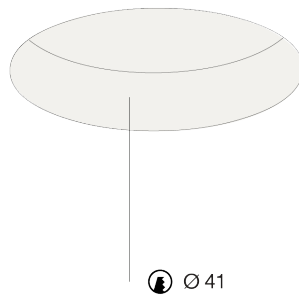


# acrobat micro trim short installation instruction

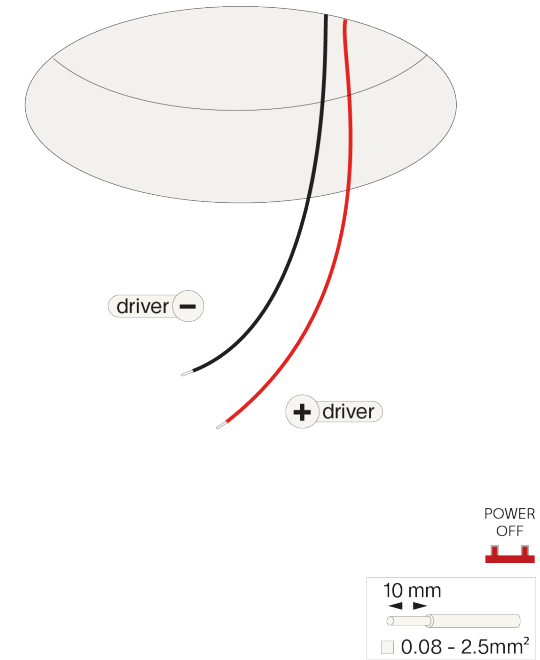


## Step 1



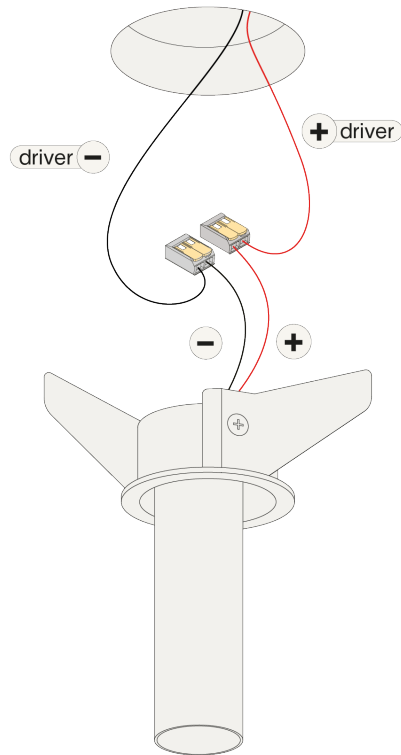
Cut a round hole (Ø41). Consult the chosen luminaire tech specs for required height and free air dimensions.

## Step 2



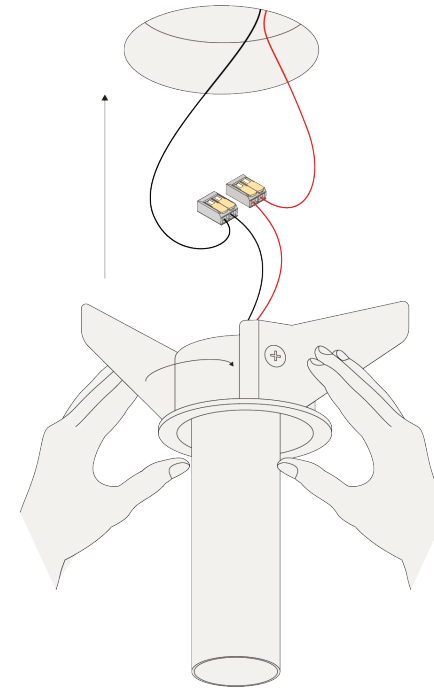
Turn the power off – driver location remote.

## Step 3



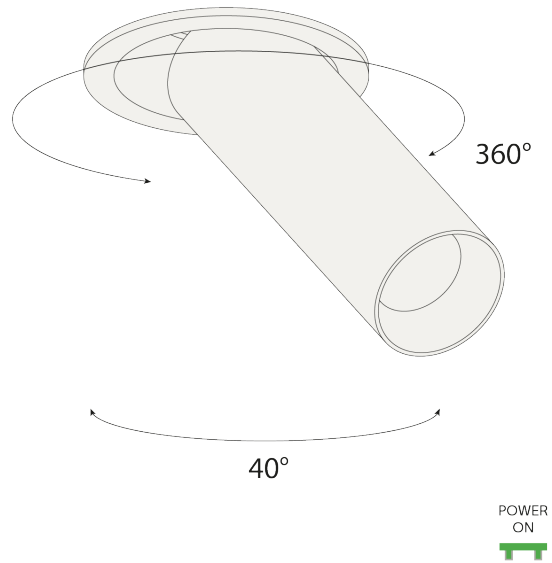
Connect the wires with wago connectors for serial connection, respect polarity combine with a prado LED-driver.

## Step 4



Bend over the springs and push the luminaire into the ceiling.

## Step 5



Twist the luminaire as desired.

