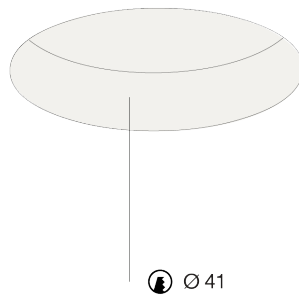


acrobat micro trim long installation instruction

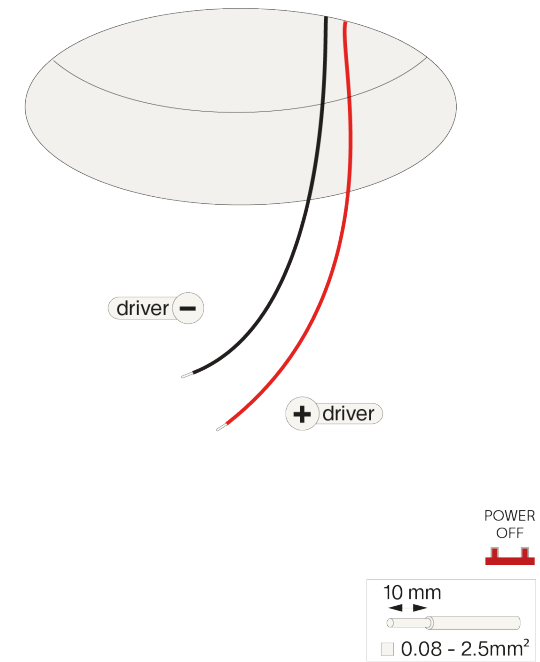


Step 1



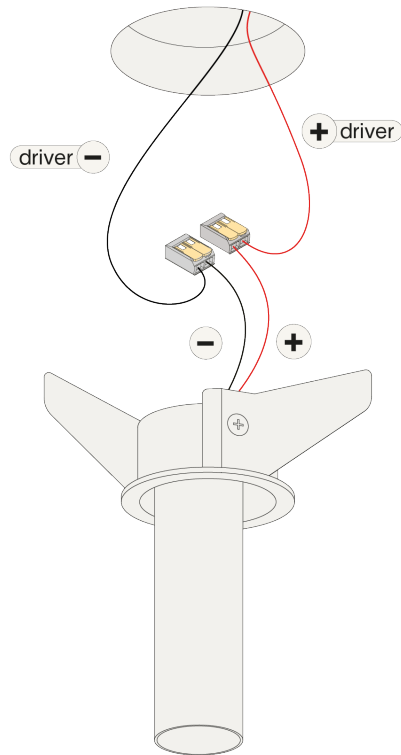
Cut a round hole (Ø41). Consult the chosen luminaire tech specs for required height and free air dimensions.

Step 2



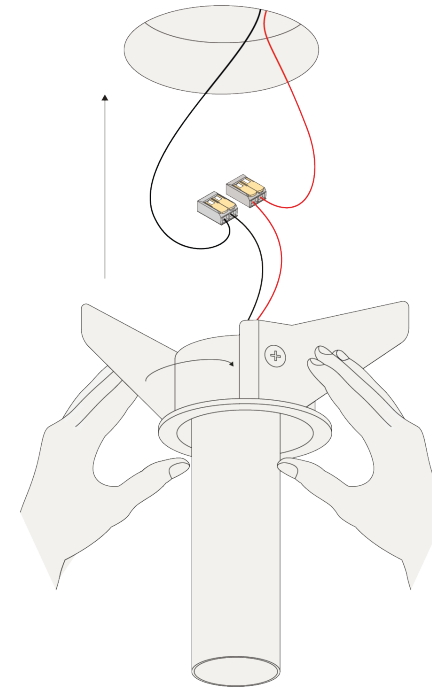
Turn the power off – driver location remote.

Step 3



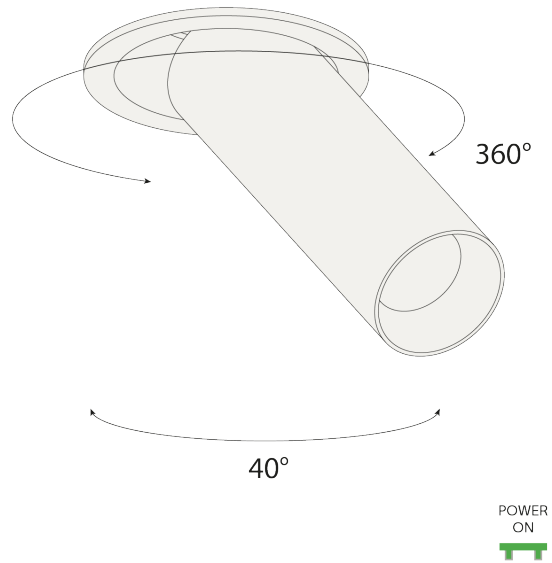
Connect the wires with wago connectors for serial connection, respect polarity combine with a prado LED-driver.

Step 4



Bend over the springs and push the luminaire into the ceiling.

Step 5



Twist the luminaire as desired.

