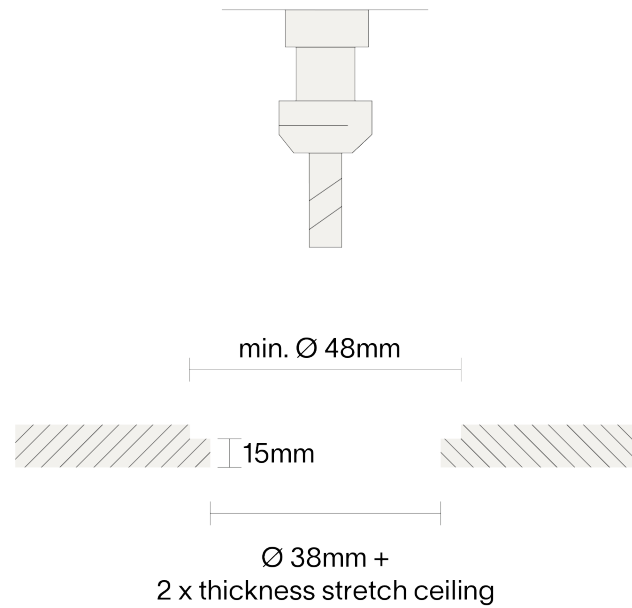


clt – csc ring Ø57

installation instruction

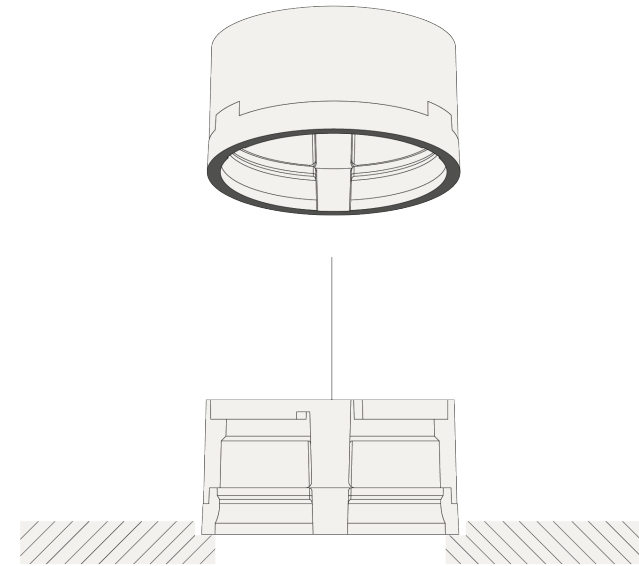


Step 1



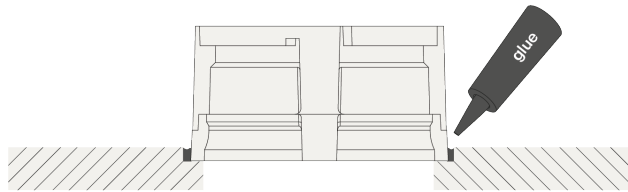
Mill a hole with the above dimensions in a wooden base (not supplied) (maximal fabric thickness : 1.2mm).

Step 2



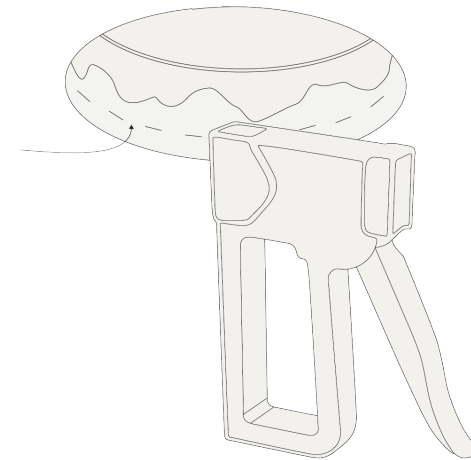
Place the csc ring in the hole, black side facing down.

Step 3



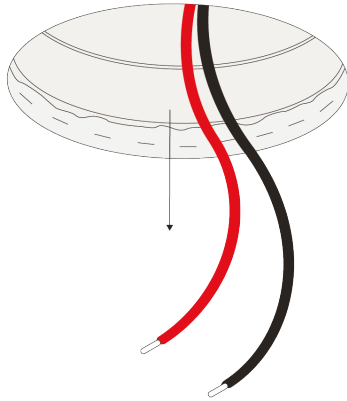
Fix the csc ring to the wooden base with the right glue.

Step 4



Fasten the cloth in the wooden base (below the csc kit) cut off the excess fabric (it cannot touch the csc ring).

Step 5



The fixture can now be installed.