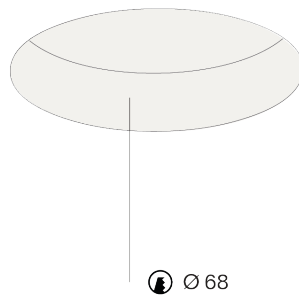


acrobat mini trim short installation instruction

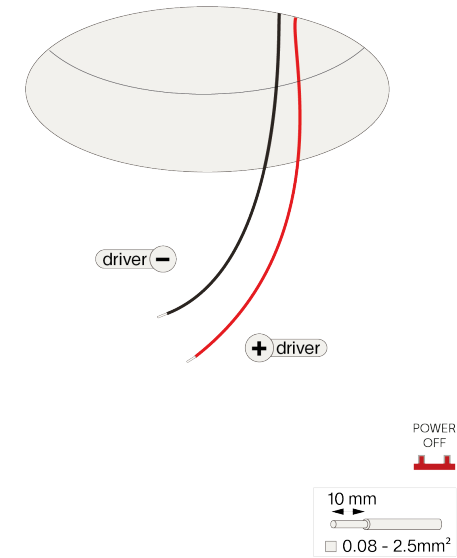


Step 1



Cut a round hole (Ø 68). Consult the chosen luminaire tech specs for required height and free air dimensions.

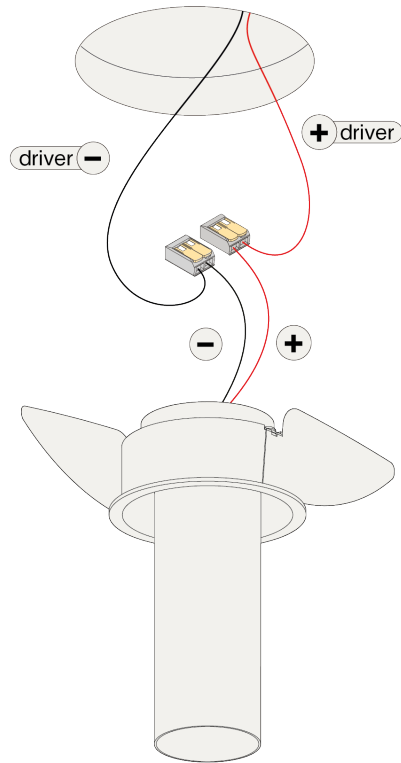
Step 2



constant current (mA)	typical forward voltage (V)	typical power (W)
350	16,9	5,9
500	17,4	8,7
700	18,2	12,7

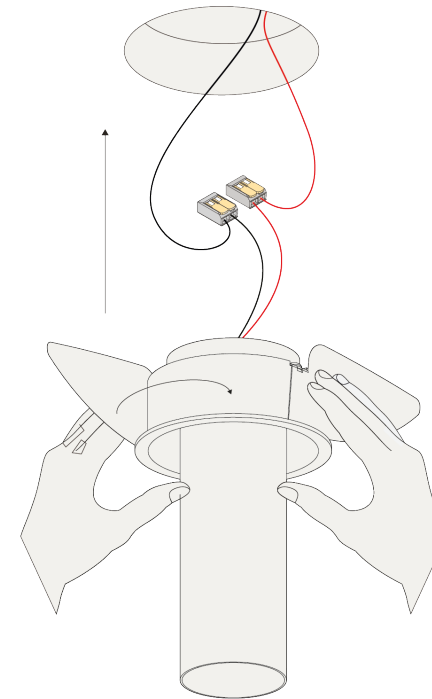
See packaging or fixture label for maximum current.

Step 3



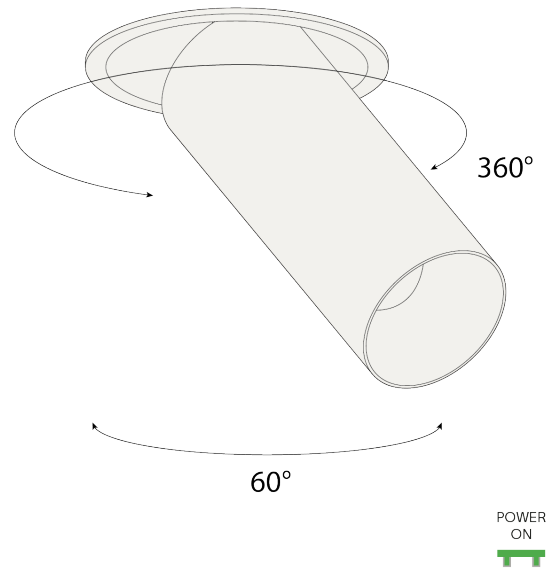
Connect the wires with wago connectors for serial connection, respect polarity combine with a prado LED-driver.

Step 4



Bend over the springs and push the luminaire into the ceiling.

Step 5



Twist the luminaire as desired.

