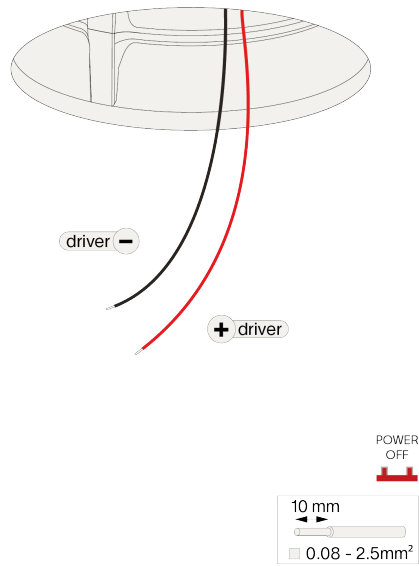


acrobat mini long installation instruction



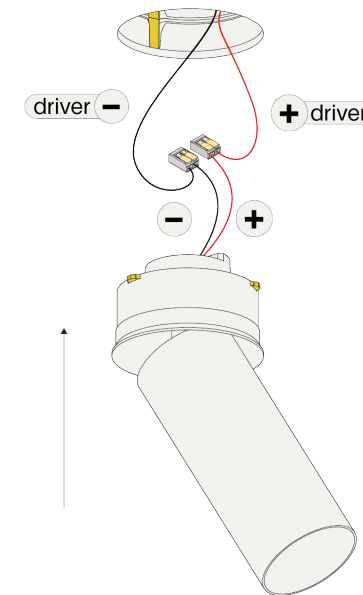
Step 1



constant current (mA)	typical forward voltage (V)	typical power (W)
350	16,9	5,9
500	17,4	8,7
700	18,2	12,7

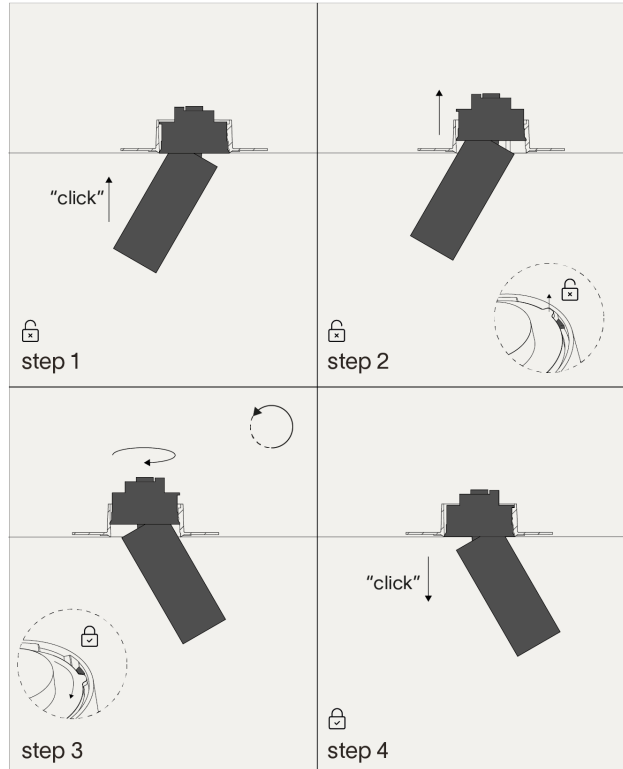
See packaging or fixture label for maximum current.

Step 2

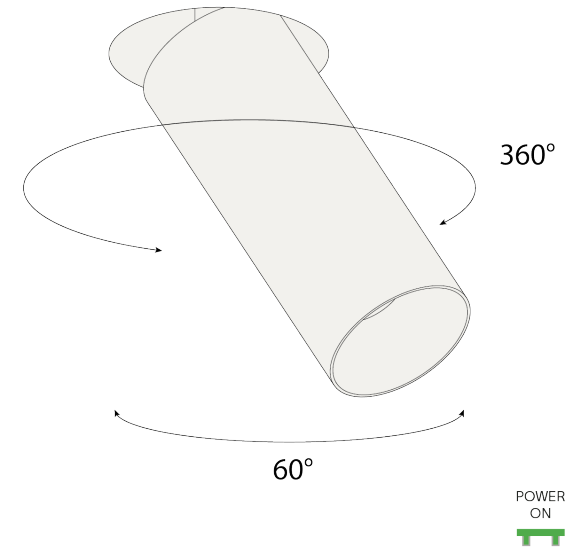


Connect the wires with wago connectors for serial connection, respect polarity combine with a prado LED-driver.

Step 3



Step 4



Insert the luminaire into the ceiling until it “clicks”. Push the luminaire a little further and twist it to lock it. Gently pull the luminaire down again. Now it’s locked.

Twist the luminaire as desired.

					Replace glass lens when broken. Luminaire shall only be used together with glass lens.
--	--	--	--	--	---