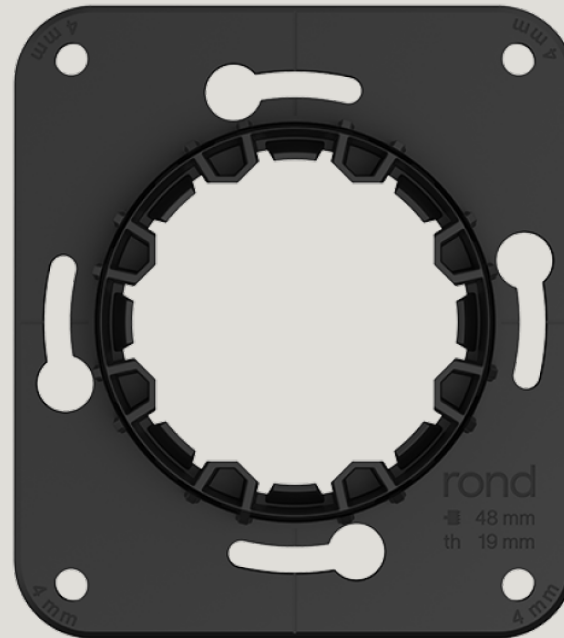
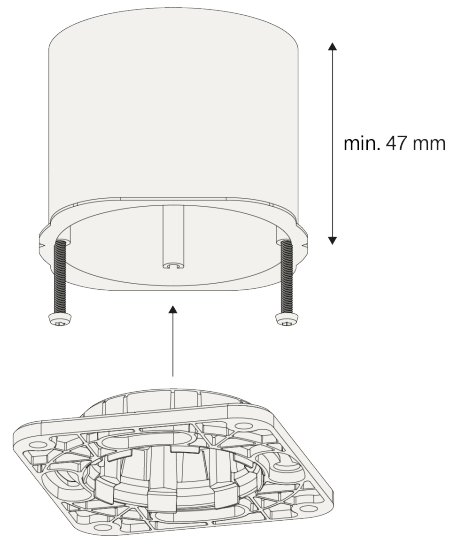


backfit holder

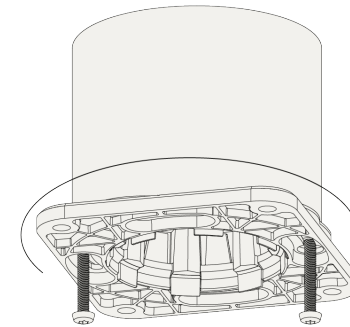
installation instruction



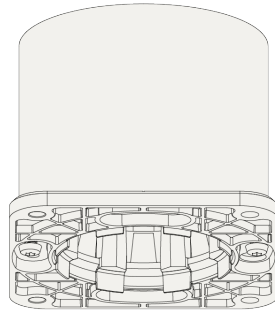
Step 1



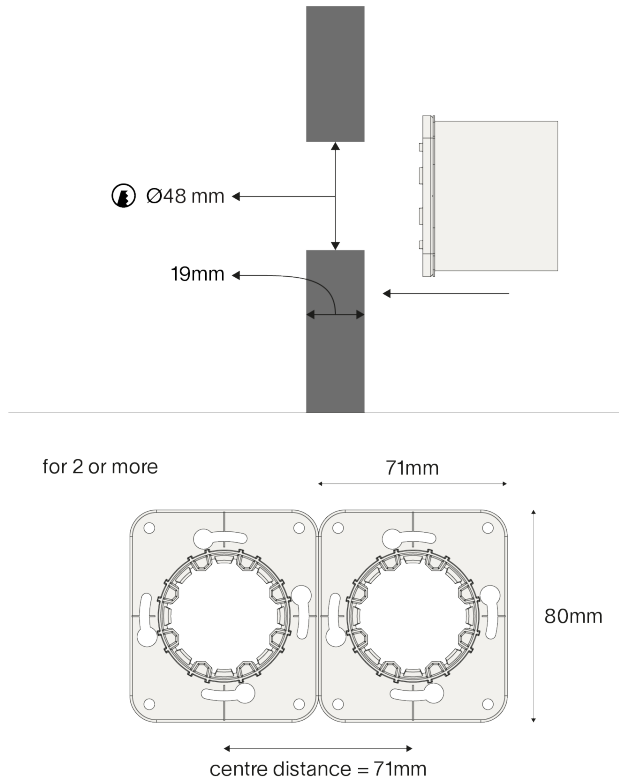
Step 2



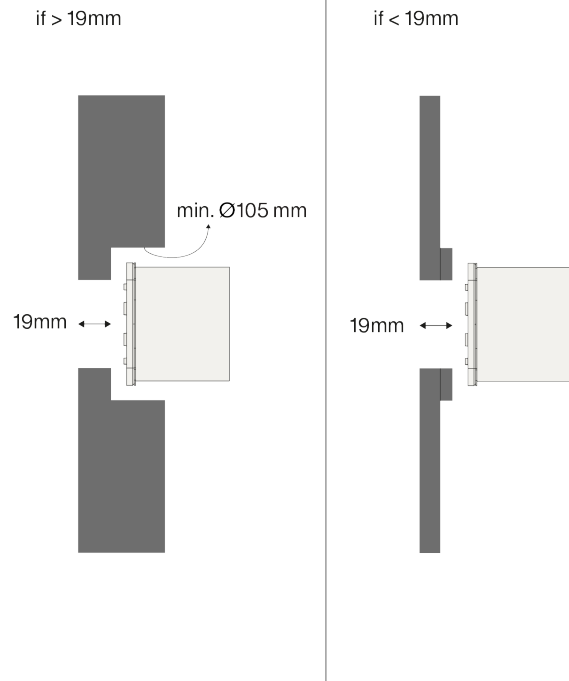
Step 3



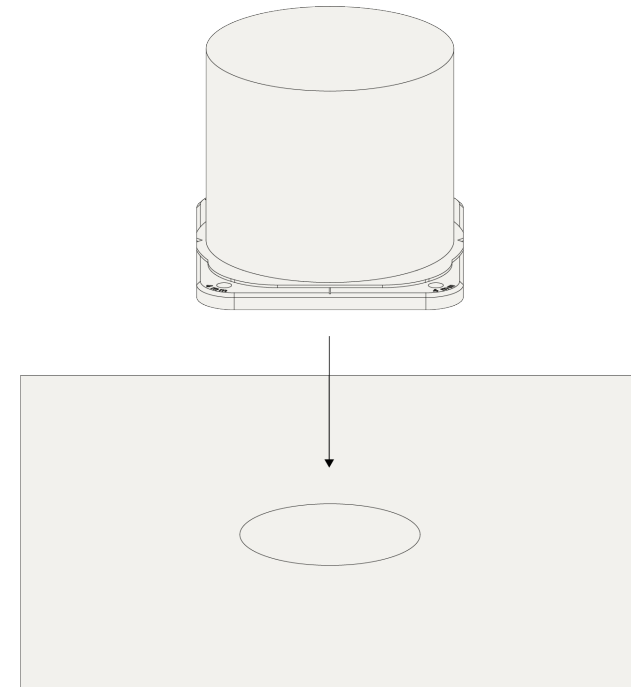
Step 4



Step 5

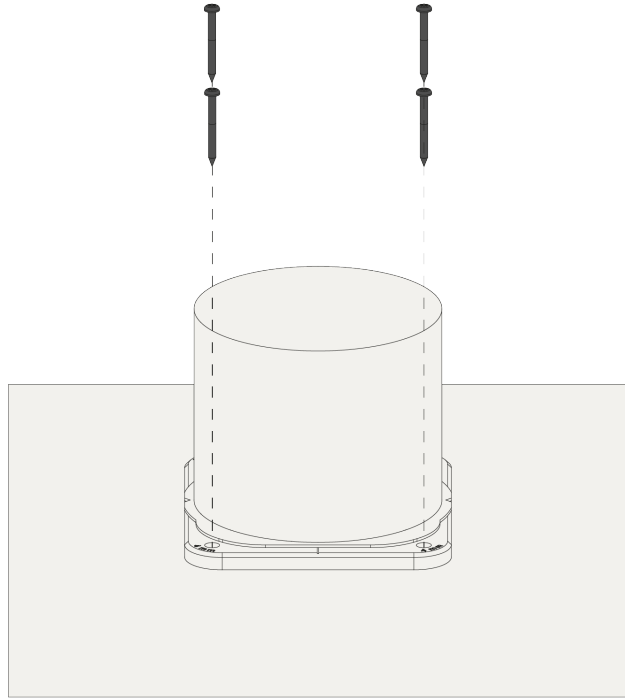


Step 6

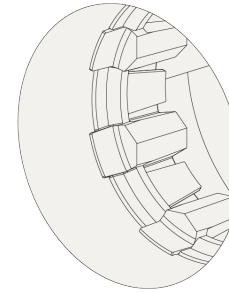


If the finish material thickness is not 19mm, machine down or add (wooden) plate to achieve the correct total depth (19mm).

Step 7



Step 8



Compatible with retrofit/easyfit modules.