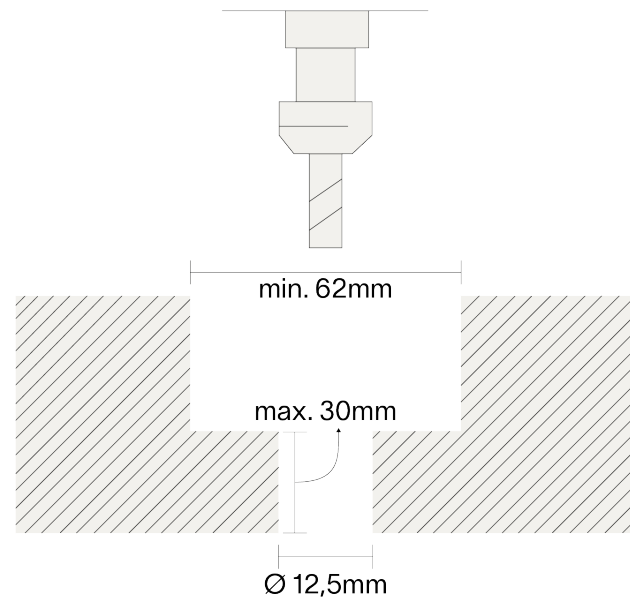


clt ring jack

installation instruction

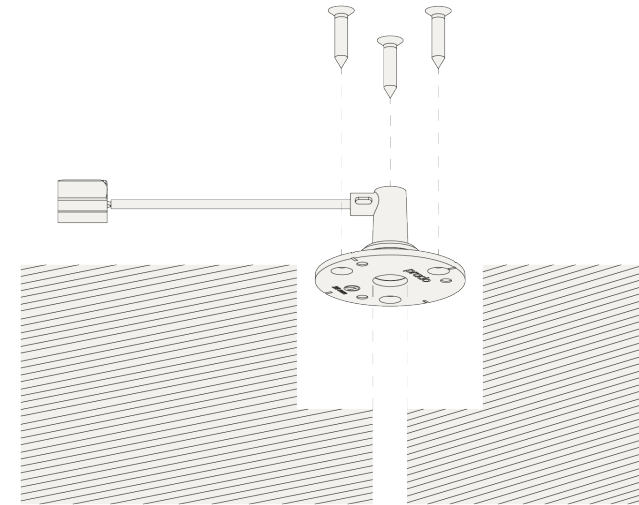


Step 1



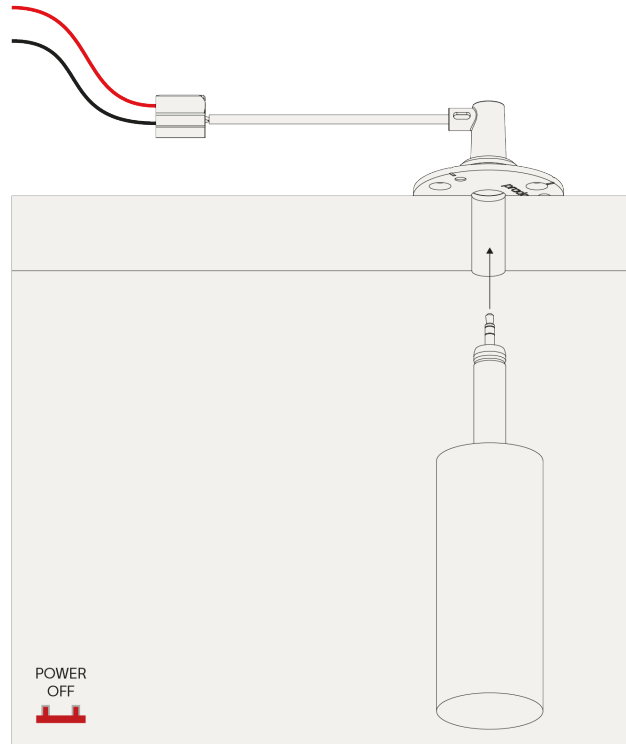
Drill a round hole with the above dimensions.

Step 2



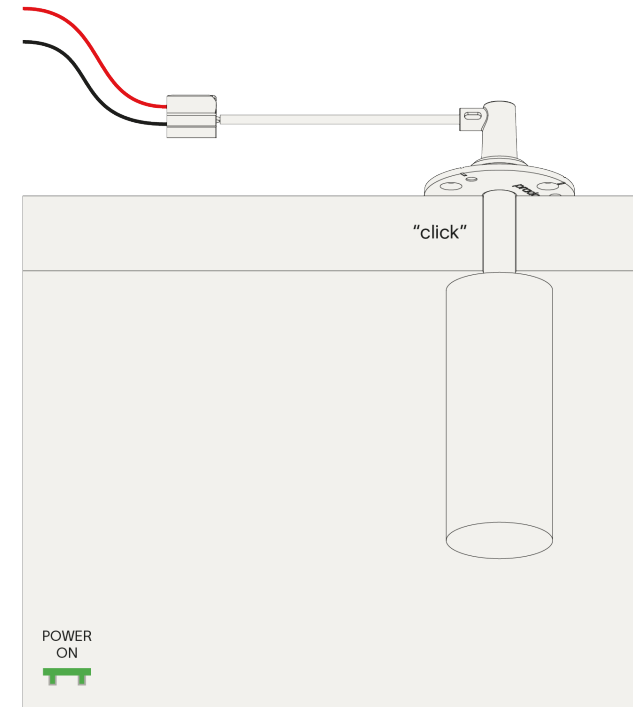
Fasten the clt ring with the appropriate screws and make sure the kit is well positioned.

Step 3



Make the electrical connection and test it before closing the ceiling. Do not plug or unplug the fixture while power is on.

Step 4



Turn power on after plugging in the fixture.

Step 5

