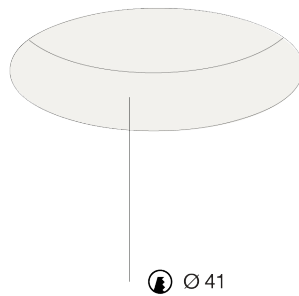


acrobat micro trim short installation instruction

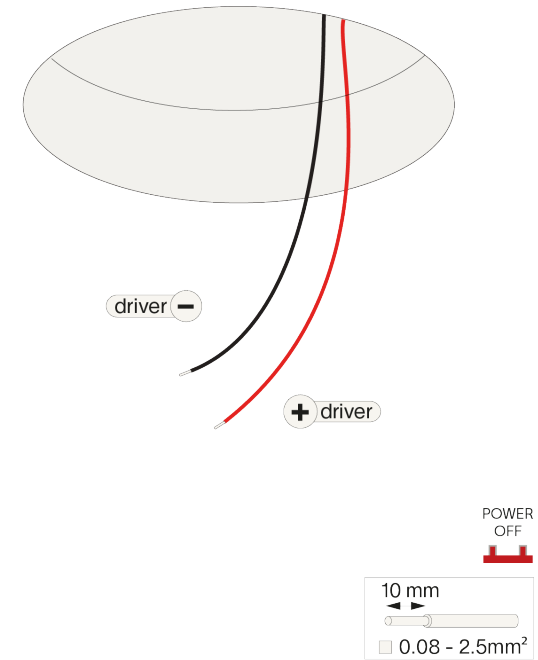


Step 1



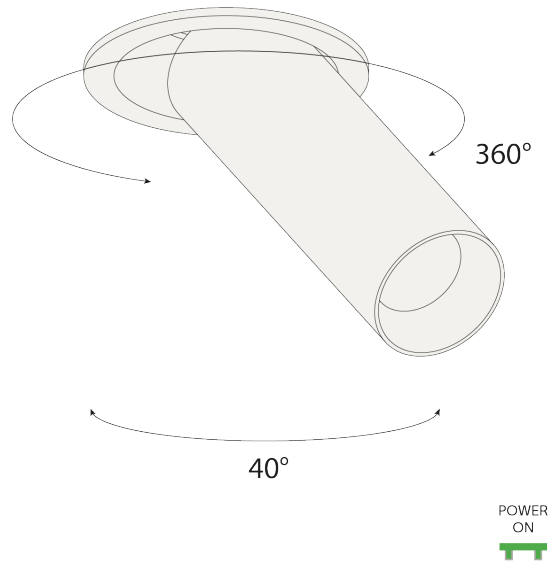
Cut a round hole (Ø41). Consult the chosen luminaire tech specs for required height and free air dimensions.

Step 2



Turn the power off – driver location remote.

Step 5



Twist the luminaire as desired.

