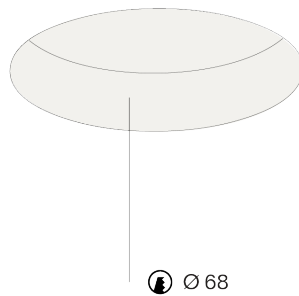


# light + motion | trim

## installation instruction

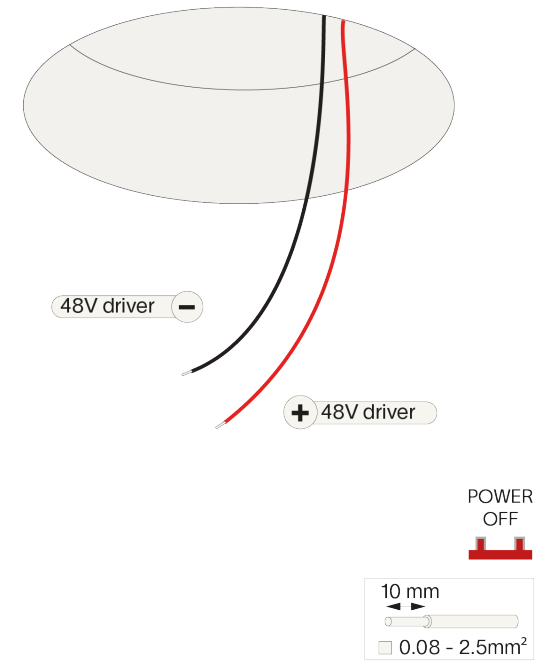


## Step 1



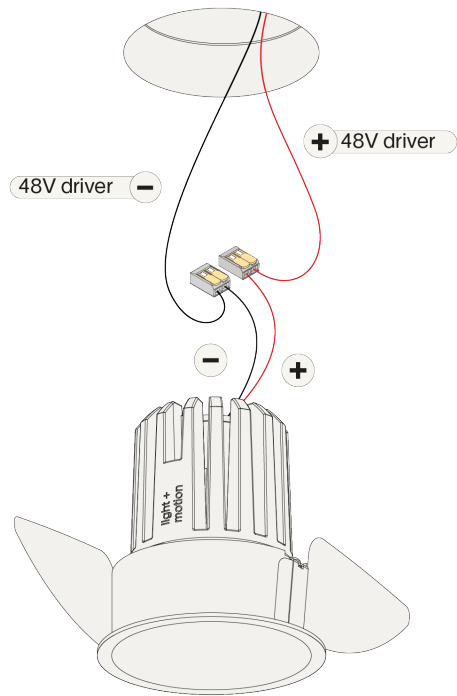
Cut a round hole (Ø68) consult the chosen luminaire tech specs for required height and free air dimensions.

## Step 2



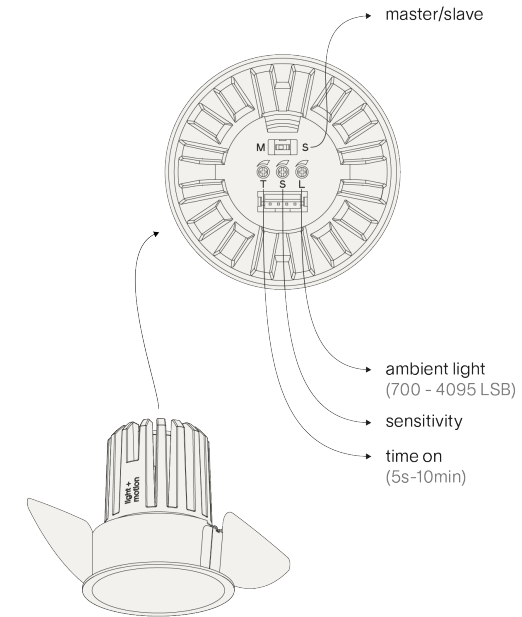
Turn the power off.

Step 3



Connect the wires with wago connectors for parallel connection, respect polarity combine with a prado LED-driver.

Step 4



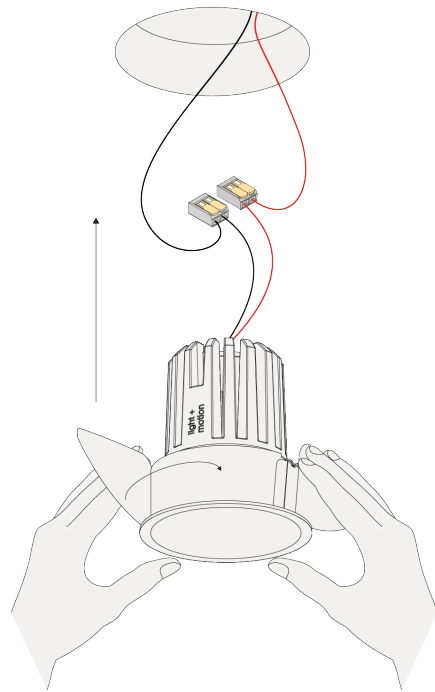
☰	☷
T = short time on	T = long time on
S = low sensitivity	S = high sensitivity
L = low ambient light	L = high ambient light

Standard settings:

- Ambient light: 1700 LSB
- Sensitivity: no pets detectable
- Time on: 5min

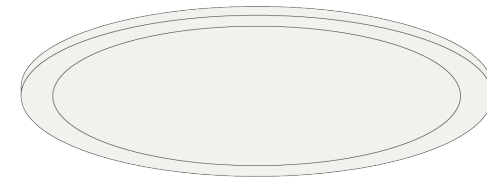
If desired update standard settings with a screwdriver.

Step 5



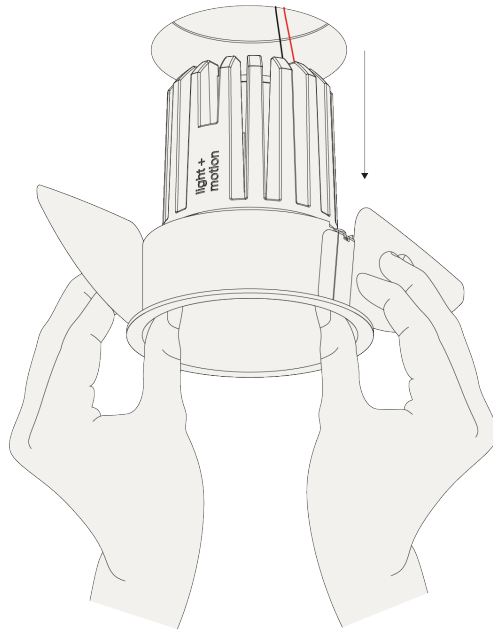
Bend over the springs and push the luminaire into the ceiling.

Step 6



Turn the power back on.

## Step 7



For both maintenance and the adjustment of settings, the luminaire can be removed from the ceiling.

